



# KC SERIES JAW CRUSHERS

## 欧版颞式破碎机

Committed to providing customers with Stable equipment and  
green intelligent crushing solution

致力于为客户提供稳定的设备和绿色智能破碎解决方案





上海秦路实业有限公司

SHANGHAI KINGLINK INDUSTRY CO.,LTD



# CONTENTS

## 目录

MANUAL CATALOG

2022 版

### P04

企业简介  
Company profile

公司简介  
企业文化

Company Profile  
Company Culture

### P06

产品简介  
Company profile

产品简介  
产品优势

Product Profile  
Product Advantage

### P08

产品特点  
Product features

高质量，高可靠性  
High Performance Lowest Total Cost

### P10

技术资料  
Technical information

外形尺寸  
技术参数  
破碎曲线

General Dimensions  
Technical Data  
Crushing Curve

### P12

发货  
Factory And Delivery

### P13

客户现场  
Typical Cases



## 企业简介

# COMPANY PROFILE

集破碎机、筛分成套设备研发制造的企业

Crusher, screening complete sets of equipment research and development and manufacturing enterprises



上海秦路实业有限公司是中国知名的破碎筛分设备供应商。我们为客户提供全系列破碎筛分设备，包括高效复合圆锥破碎机，颚式破碎机，反击式破碎机，立轴冲击式破碎机，振动筛和成套碎石及制砂生产线。本公司已顺利通过 ISO9001:2008 国际质量管理体系认证和欧盟 CE 认证。

## 2014

上海秦路实业有限公司成立

SHANGHAI KINGLINK INDUSTRY CO.,LTD was established

我们不仅为客户提供高性价比的产品，还提供一流的服务支持及解决方案。公司培养了一支专业的技术与服务队伍，在全国各地设有办事机构，在不断扩大国内市场占有率的同时，我们的产品也已经出口到俄罗斯、哈萨克斯坦、越南、老挝、泰国、菲律宾、马来西亚、印尼、古巴、多米尼加、巴西、委内瑞拉、哥伦比亚、秘鲁、智利、沙特、约旦、利比亚、赞比亚、刚果等多个国家和地区，因其可靠的品质、实用的功能，适中的价格为国内外广大客户所接受。

## 10,000,000

注册资本金 1000 万元

The registered capital is 10 million RMB

我们坚持不断地创新，持续改进产品，不断提高产品的可靠性，我们深知成功取决于客户的信赖，立志成为破碎筛分行业的世界品牌。



## 公司简介 COMPANY CULTURE

### 企业精神

SPIRIT OF ENTERPRISE

诚信、敬业、开拓、创新

Integrity,dedication,pioneering and innovative



SHANGHAI KINGLINK INDUSTRY CO., LTD is a renowned crushing and screening machinery equipment provider in China. We provide our clients with a whole series of crushing and screening machinery equipment, including hydraulic cone crusher, jaw crusher, impact crusher, vertical shaft impact crusher, vibrating screen and all complete set of stone crushing and sand making production lines. Our company successfully achieved ISO9001:2008 Quality Management Certificate and EU CE certificate.

Kinglink is able to offer products with high performance as well as quality service support and solutions to our customers home and abroad. We have one efficient after-sales service team who can respond customers' concerns quickly. Kinglink has already established the sales and service network at more than 30 provinces in China. As well, we have exported our equipment and plant to different countries and regions around the globe, including USA, Russia, Norway, Vietnam, Laos, Malaysia, Philippine, Peru, Brazil, Columbia, Libya, Zambia, Congo, South Africa, Saudi Arabia and Chile etc. Our products are well recognized by worldwide customers for our quality goods, competitive price and quick responding service.

We stick to innovation, constantly improve our product quality and reliability and strive to become a world renowned brand in the industry of crushing and screening machinery. We understand that our success relies on our clients' confidence.

### 经营理念

#### BUSINESS PHILOSOPHY

客户的需求是我们不断的追求

Customer demand is our pursuit

### 企业宗旨

#### ENTERPRISE PURPOSE

以诚信求客户，以品质求生存，以创新求发展

Customers in good faith, to survive quality, innovation for development

## 产品简介

# PRODUCT PROFILE



## ■ 欧版颚式破碎机 / KC SERIES JAW CRUSHERS

颚式破碎机主要用作粗碎破碎机，其目的是将岩石破碎成较小的粒度，以便后续破碎段的加工。因为可以有效处理大量坚硬岩石，颚式破碎机是粗碎旋回破碎机的一种广受欢迎的替代品。由于体积较小，颚式破碎机也适合在狭窄空间中应用，例如井下采矿和移动式破碎应用。

颚式破碎机破碎腔型、动力学和操作参数经确定和优化，可以确保卓越产能。通过充分利用破碎机的高度，使得破碎腔更陡，配以高位啮合角及底部超大线性偏心距，确保其更高的产量和更大的破碎比。

C Series jaw crushers are mainly used as primary crushers in aggregates production, mining operations and recycling applications. The product family consist of models of different sizes that are engineered to deliver the maximum productivity at the lowest operating costs.

C jaw crusher is the result of extensive product development and research. Cavity, kinematics and operating parameters have been defined and optimized to ensure the outstanding performance for which C Series jaw crushers are known and valued. Crusher height gives the steepest possible cavity cross-section, and the nip angle high up in the cavity, together with an aggressive well-aligned stroke at the bottom, ensure high throughput capacity and reduction.



## 产品优势 /PRODUCT ADVANTAGE

01

高可靠性

HIGH PERFORMANCE  
LOW OPERATING COST

02

高产量和高破碎比

WIDE APPLICABILITY

使用欧版颚式破碎机，可获取：

- 更大的给料能力
- 高产量和大破碎比
- 更多正常运行时间

Use the C Jaw crusher, you can obtain:

- Excellent material intake capacity.
- High production and High reduction ratio.
- High uptime.

03

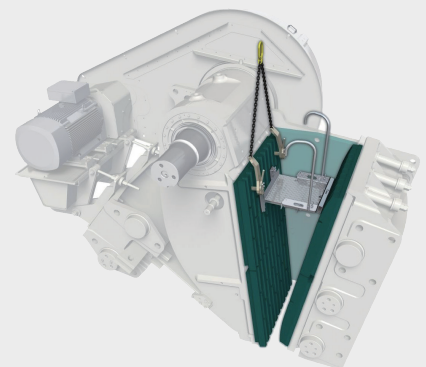
安装、操作和维护简单

EASY TO OPERATE  
AND MAINTAIN

04

高安全性

MORE SAFE



高质量和高可靠性

# HIGH QUALITY AND RELIABILITY



## 材质

### 严格的工艺和材料

Strict craftsmanship and materials

C 系列颚式破碎机的可靠性基于销栓连接和非焊接机架结构，这使其具有卓越的抗疲劳强度。所有机架组件均使用专为颚式破碎机开发的合金材料铸造而成。

C Series jaw crusher is a pinned and bolted, non-welded frame construction that provides excellent fatigue strength. All the frame components are casted using an alloy developed in-house especially for jaw crushers.

## 耐用

### 经久耐用的动颞总成

Durable pitman assembly

机架经过重型化设计；衬板采用高锰钢复合材料，更耐磨；主机采用大直径主轴，更加坚固耐用；

The pitman is made of high-quality cast steel and is propelled by two massive cast steel or iron flywheels. A very large eccentric shaft forging and four large spherical roller bearings that are all of the same size ensure the greatest reliability even under the most severe crushing conditions. The grease-lubricated bearings are kept free from contamination by means of well-proven labyrinth seals.

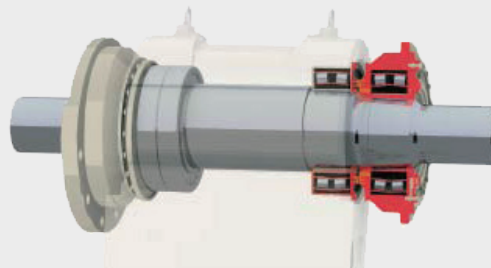
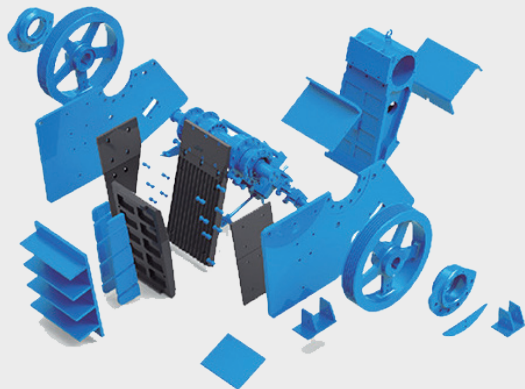
## 铸钢

### 整体铸钢轴承箱

Single piece cast steel frame bearing housings

整体铸钢轴承箱能够保证与破碎机架完全配合，并且还能避免对轴承架造成不必要的负荷，而这种不必要的负荷在以往 2 片式轴承箱结构中是不可避免的。

The single piece cast steel frame bearing housings ensure a perfect fit to the crusher frame. They also prevent unnecessary loads to the frame bearings that are common with 2-piece frame bearing housings.







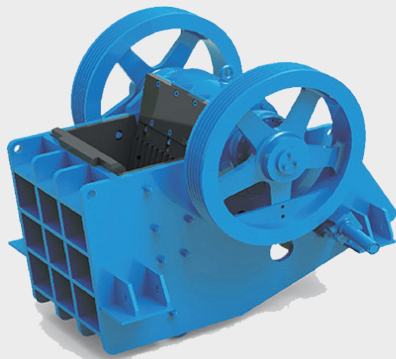
### 机架

#### 可修复的破碎机机架

Repairable crusher construction

C 系列破碎机在服务期限内能够始终满足用户连续工作的要求。由于使用了铸钢组件，破碎机在运行多年后仍能够经济地进行修理或修复。而其他结构的破碎机进行同样的修复将耗费巨大成本，甚至是不可能的。

C Series crushers constantly fulfill the durability expectations of their owners around the clock, but they will eventually need some care. Due to the use of cast steel components, the crusher can be economically reconditioned or rebuilt after many years of operation. Such repairs are uneconomical or impossible to carry out with crushers of alternative designs.



### 轴承

#### 轴承规格更大、承载能力更高

Larger bearing size and higher load capacity

选用轴承规格更大、承载能力更高。所有 C 系列颞式破碎机都装有较其它同样规格破碎机更大更耐用的偏心轴轴承，其更高的承载能力和有效的迷宫密封使轴承使用寿命大大地延长。

The bearing size is larger and the bearing capacity is higher. All C series jaw crushers are equipped with larger and more durable eccentric shaft bearings than other crushers of the same size. Its higher load capacity and effective labyrinth seals greatly extend the service life of the bearings.

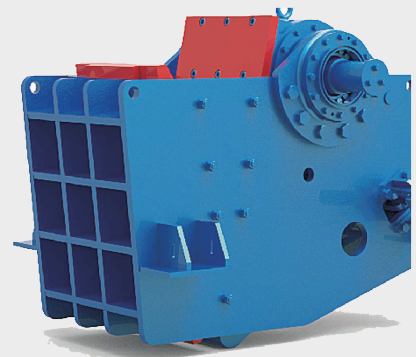
### 结构

#### 模块式、无焊接框架结构

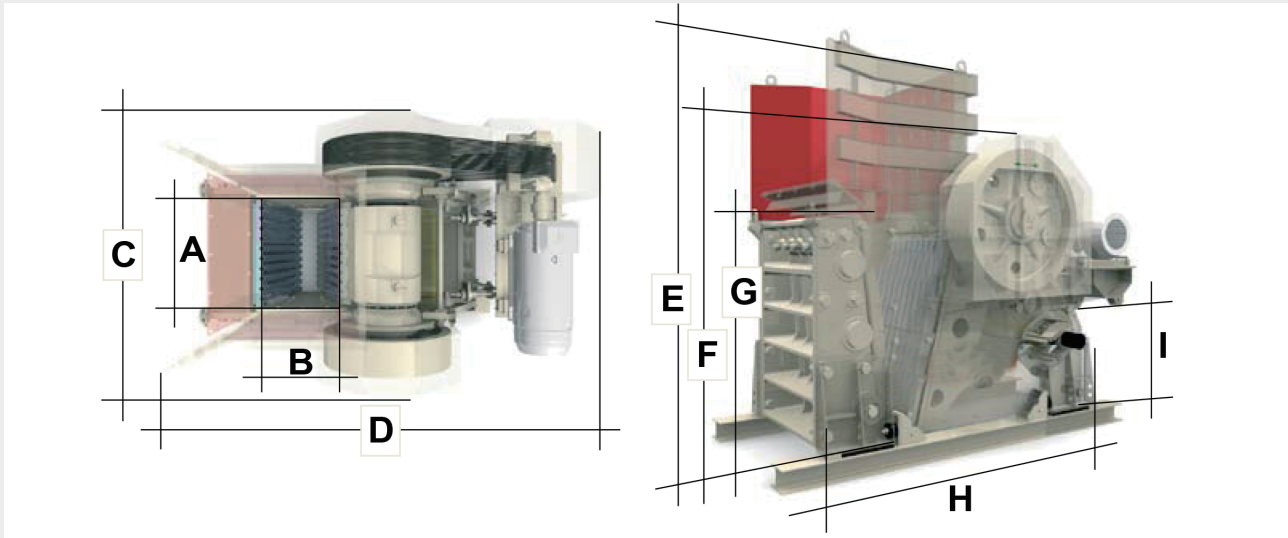
Modular, non-welded construction

颞式破碎机采用了独特的模块式、无焊接框架结构，两个热轧钢侧板通过精密加工的销与高质量铸钢机架牢固的栓接在一起，避免了设备

A uniquely modular, non-welded frame construction is a state-of-the-art design with two hot-rolled steel side plates joined to high-quality cast steel frames through robust, precision machined bosses secured with bolts. The absence of stress inducers such as weld seams ensures excellent durability against shock loads.



## 外形尺寸和重量 / DIMENSIONS & WEIGHTS



		C80	C96	C100	C106	C110	C3045	C116	C125	C140	C145	C160	C200
A	mm	800	930	1000	1060	1100	1375	1150	1250	1400	1400	1600	2000
B	mm	510	580	760	700	850	760	800	950	1070	1100	1200	1500
C	mm	1526	1755	2420	2030	2385	2640	2400	2800	3010	3110	3700	4040
D	mm	2577	2880	3670	3320	3770	3540	3600	4100	4400	4600	5900	6700
E	mm	1990	1610	2890	2075	2890	2470	2675	3440	3950	4100	4580	4950
F	mm	1750	1460	2490	2005	2750	2470	2730	2980	3140	3410	3750	4465
G	mm	1200	755	1700	1135	1940	1080	1790	2100	2260	2430	2650	2800
H	mm	2100	2500	2965	2630	2820	2950	2885	3470	3755	3855	4280	4870
I	mm	625	465	775	700	580	690	1255	980	1050	1050	1300	1400
破碎机自重 Basic crusher weight	kg	7670	9759	20060	14350	25800	25900	18600	37970	47120	54540	76500	121510
破碎机总重 Operational crusher weight	kg	9520	11870	23300	17050	29500	30300	21500	43910	54010	63190	88500	137160

注 NOTE:

1) 破碎机不包括以下部件:

1) Crusher without options

2) 液压调整机构、飞轮保护罩、电机支架、进料斗、自动润滑系统和电机。

2) Crusher, hydraulic setting adjustment, flywheel guards, integral motor support, feed chute, automatic grease lubrication system, and typical electric motor.

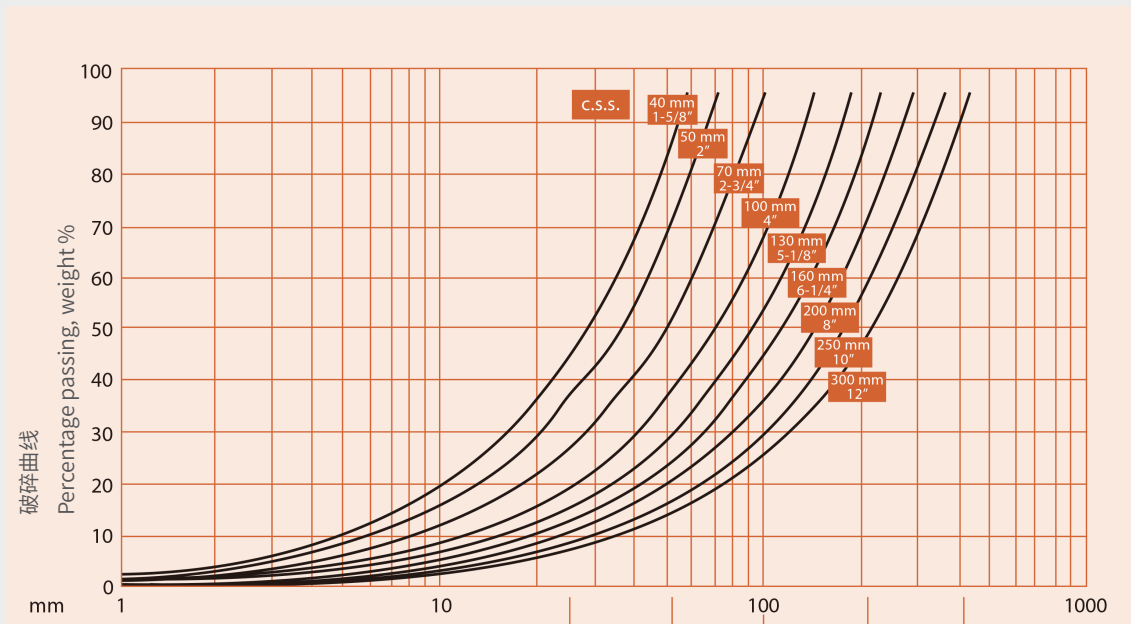
秦路可提供破碎机总体布置、基础和维修空间要求的详细图纸。

Certified general arrangement, foundation and service space requirement drawings are available from Kinglink.

## 技术参数 / TECHNICAL DATA

型号 Model	进料口尺寸 (mm×mm) Size of feed opening (mm×mm)	转速 (R.P.M) Speed	功率 (kW) Power	不同闭边排料口[in(mm)]的产量 (TPH) The Capacity (TPH)of different Discharge size (mm)												
				40	60	80	100	125	150	175	200	225	250	275	300	
C80	800x510	350	75	55-75	80-110	110-150	140-190	175-245	210-290	245-335						
C96	930x580	330	90		120-155	160-210	200-260	250-325	300-390	350-455						
C100	1000x760	260	110			170-225	215-280	265-345	315-410	370-480	420-545					
C106	1060x700	300	110			175-230	220-290	280-365	335-435	390-510	445-580					
C110	1100x850	230	110			210-275	255-330	310-405	370-480	425-550	480-625					
C116	1150x800	260	132			180-235	225-285	270-345	320-405	370-465	530-670					
C3054	1375x760	260	160			270-350	325-425	390-510	460-600	530-690	600-780					
C125	1250x950	220	160				290-380	350-455	410-535	470-610	530-690	590-770	650-845			
C140	1400x1070	220	200					385-500	455-590	520-675	590-765	655-850	725-945			
C145	1400x1100	220	200					400-520	470-610	540-700	610-795	680-885	750-975	820-1070		
C160	1600x1200	220	250						520-675	595-775	675-880	750-975	825-1070	900-1170	980-1275	
C200	2000x1500	220	400							760-990	855-1110	945-1230	1040-1350	1130-1470	1225-1590	

## 破碎曲线 / INDICATIVE PRODUCT GRADATION



■ 发货 / DELIVERY



■ 客户现场 / TYPICAL CASES





## 上海秦路实业有限公司

地址：上海市浦东新区沈梅路 123 弄 3 号楼  
电话：+86-21-2095 8317  
传真：+86-21-2095 9271  
手机：+86-15601968455  
邮箱：info@kinglink-china.com  
网站：www.kinglink-china.cn

## SHANGHAI KINGLINK INDUSTRY CO LTD

Address: Building 3, Lane 123, Shenmei Road,  
Pudong District, Shanghai, China  
Tel: +86-21-2095 8317  
Fax: +86-21-2095 9271  
Mobile: +86-15601968455  
Email: info@kinglink-china.com  
Web: www.kinglinkcrusher.com

